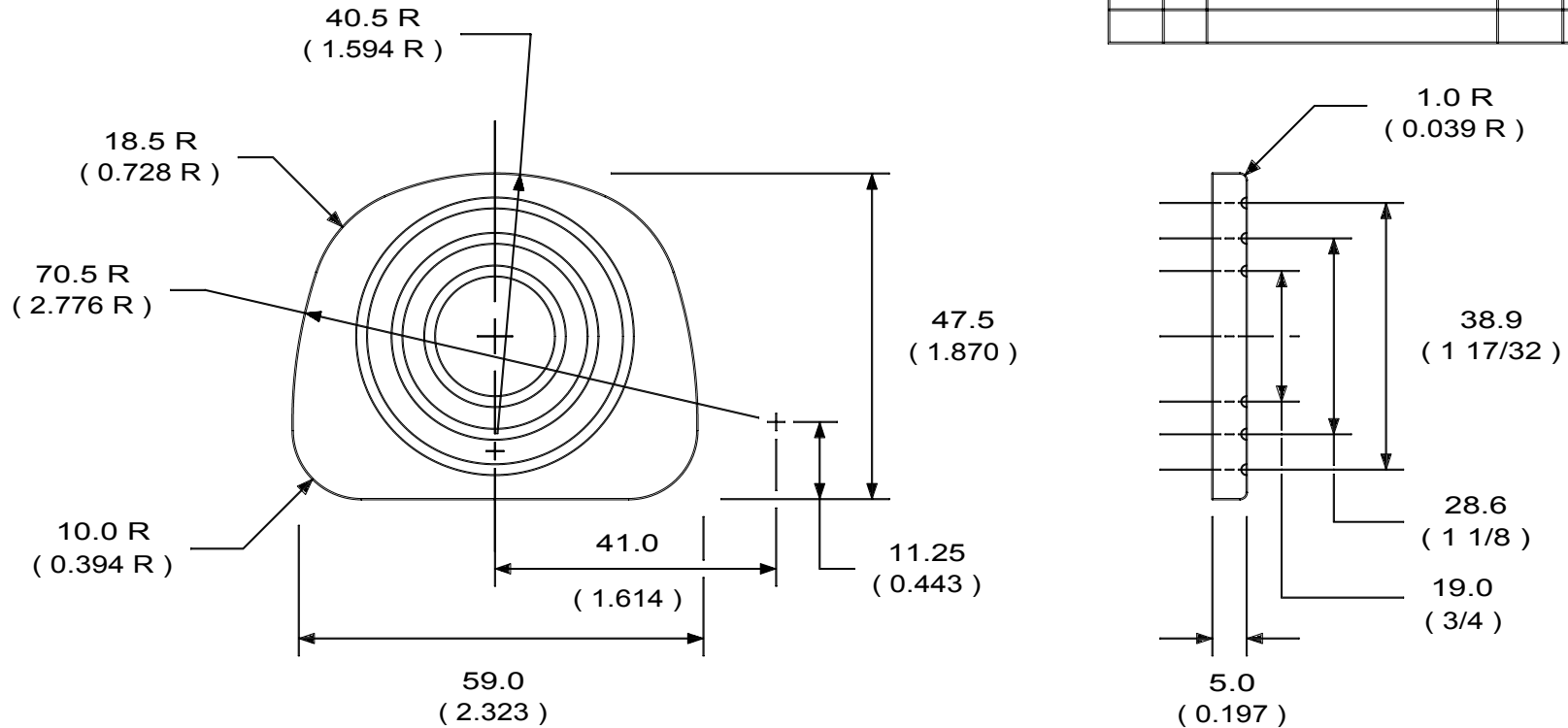


0969-197

DATE	SYM	REVISION RECORD	AUTH.	DR.	CK.
10/92		REDRAWN INTO CAD - L.M.R.			



NOTE : THREE CONCENTRIC RINGS

WIDTH = 1/16 in = 1.6 mm

DEPTH = 1/32 in = 0.8 mm

TOLERANCES (EXCEPT AS NOTED)	<b>ACME METAL CAP CO., INC.</b>		
DECIMAL ± 0.13 mm	MATERIAL: 0.015, 50/20 DIFFERENTIAL TINPLATE	SCALE <b>1:1</b>	DRAWN BY <b>LEO VIANA</b>
FRACTIONAL ± 0.25 mm	TITLE		
RADII ± 0.38 mm	DATE <b>05/19/92</b>	DRAWING NUMBER <b>0969-197</b>	