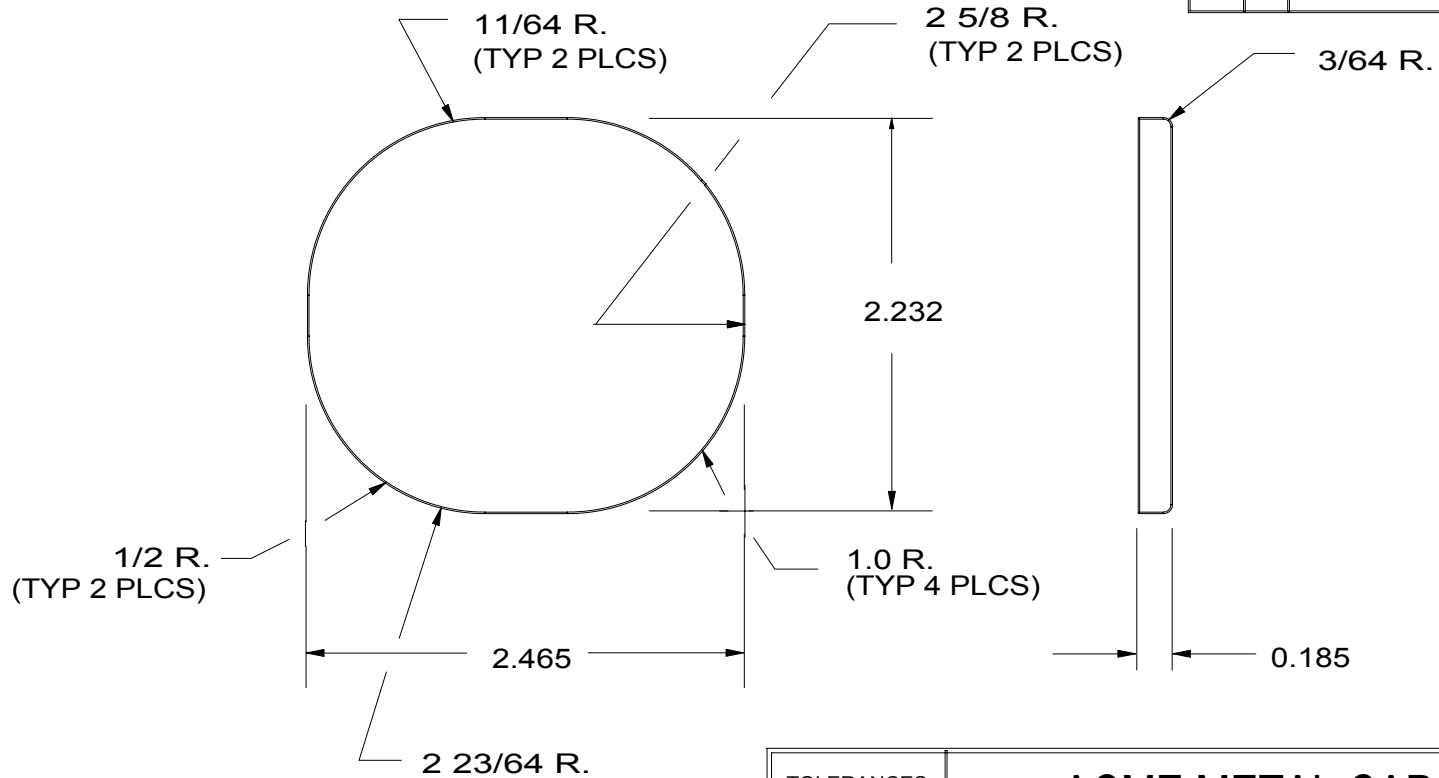


0799-185

DATE	SYM	REVISION RECORD	AUTH.	DR.	CK.
02/15/01		CAD REDRAWN		J.R.	



TOLERANCES (EXCEPT AS NOTED)		ACME METAL CAP CO., INC.	
DECIMAL	MATERIAL: 0.015, 50/20 DIFFERENTIAL TINPLATE	SCALE	DRAWN BY
± 0.005 in.		1:1	APPROVED BY
FRACTIONAL	TITLE		
± 0.010 in.			
ANGULAR	DATE	DRAWING NUMBER	
±	6/02/86	0799-185	